

CLSK-40M

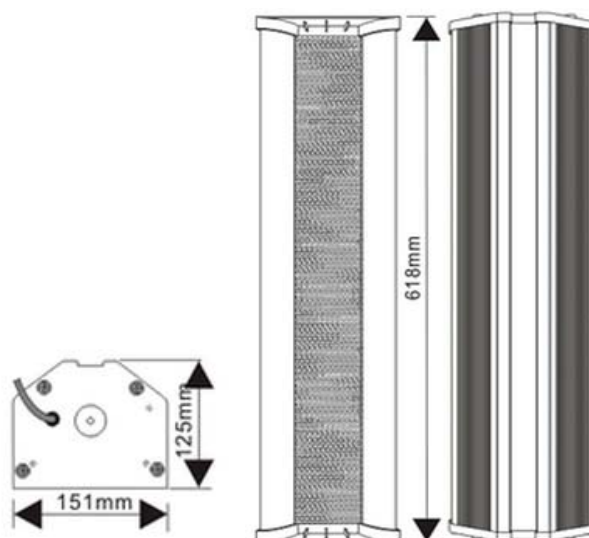
Weatherproof PA System Music Column Speaker

Feature:

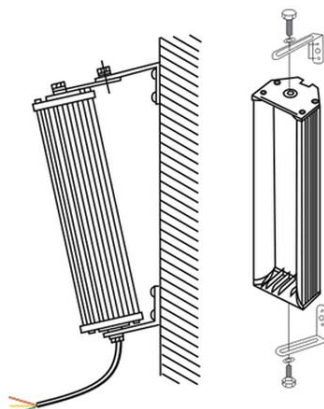
- ✓ Commercial public address (PA) system music & paging horn speaker with transformer
- ✓ Ideal for outdoor music and speech use in factory, school, office, hotel and airport
- ✓ Economy rang weatherproof outdoor PA music column speaker
- ✓ 4" full range waterproof woofer built-in outdoor column speaker
- ✓ Rated power output 40W at 100V
- ✓ Waterproof level of IP66
- ✓ Line input 100V or 70V by cable tail with waterproof gland
- ✓ Aluminum alloy enclosure and stainless metal bracket in gray
- ✓ Quick installation by supplied stainless mounting bracket



Dimension & Side View:



Mounting Guidance:



CLSK-40M

Weatherproof PA System Music Column Speaker

Specification:

Model	CLSK-40M
Description	Weatherproof PA System Music Column Speaker
Rated Power Output	40W
Speaker	4" full range PP waterproof woofer
Line Input	100V or 70V
Frequency Response	100-15KHz
SPL(@1W/m)	94dB
IP Rate	IP66
Connector	By speaker cable tail with waterproof gland
Dimension	618(W) × 151(D) × 125(H)mm
Material	Aluminum alloy enclosure and stainless metal bracket in gray
Mounting Way	Quick installation by supplied stainless mounting bracket
Net Weight	4.8kg
Carton Qty	2 PCS
Packaging	650(W) × 320(D) × 160(H)mm, 12kg

Frequency Response & Impedance Diagram:

